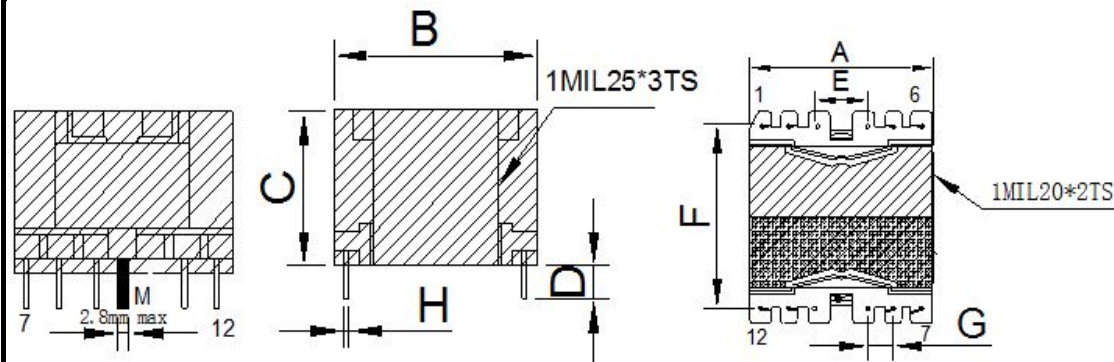


CUSTOMER TERMINAL	ROHS	Lead(Pb)-free
	YES	YES

1. Mechanical Dimensions



A	29.5	MAX
B	30.5	MAX
C	26.5	MAX
D	3.5	±0.5
E	7.6	±0.2
F	25.4	±0.4
G	3.8	±0.2
H	0.60	±0.1

3. Material List

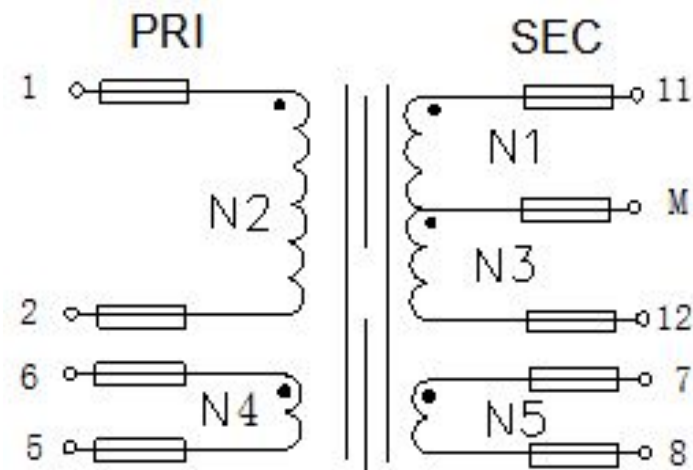
Core:FW44 PQ2625

Bobbin:FWB2602(6+6PIN)

Wire:2UEW TIW LITZ

Operating Temperature: -30 to115 °C

2. Schematic Diagram



4. Electrical Specification

Inductance: L(1-2):45uH±5% 100KHZ 、 0.6V

Leakage Inductance : 3uH MAX 100KHZ 、 0.6V

DCR:(1-2)=86mΩMAX (11-12)=110mΩMAX

Hi-Pot:P-S: AC 60Hz 4000V 2.0mA 3S

S-CORE: AC 60Hz 3000V 2.0mA 3S

REV.	DATE	<p>Convention Placement</p>	DRW.	Drawing Title: TRANSFORMER	Part No: FWPTPQ2625V450J-2
0	00/00		CHK.		
			APP.		
ROHS		www.ferriwo.com	Customer P/N	Specification Sheet 1of 1	